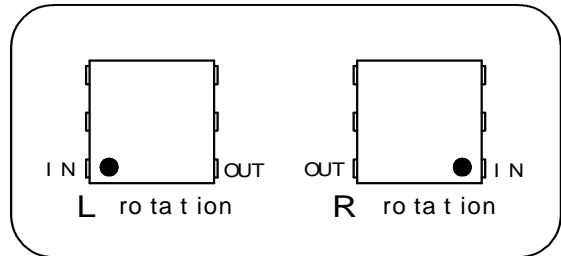


4mm SQUARE THIN TYPE ISOLATOR

MODEL ESI-4AG [] 1.855 G 01 - T

(1) (2) (3) (4) (5) (6)

- (1) Series ESI-4AG ; 1.6 +/-0.1mm Height
- (2) Rotating Direction (R or L)
- (3) Center Frequency
- (4) G ; GHz
- (5) Control No.
- (6) T ; Taping
Blank ; Bulk



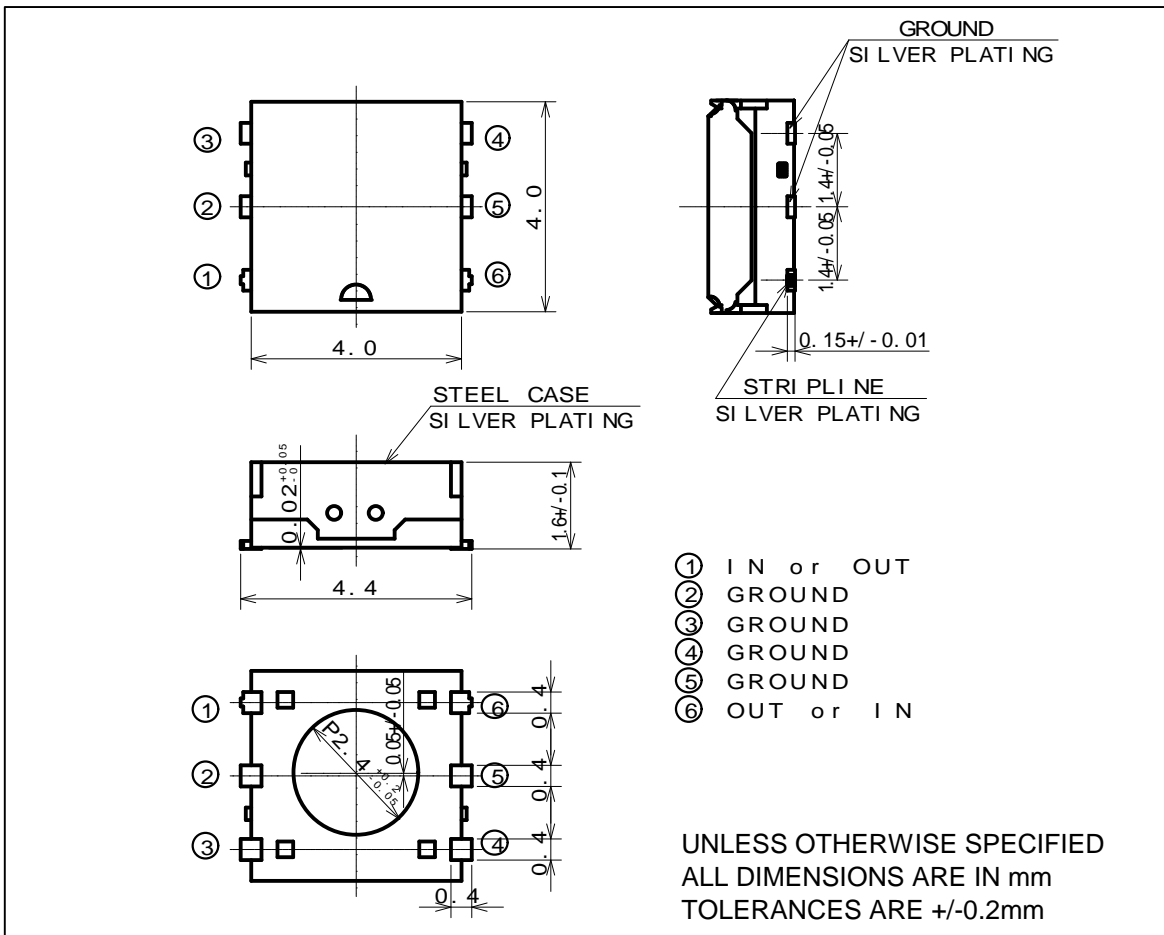
Specification

| Frequency (GHz) | Ins. Loss Max. (dB) | Isolation Min. (dB) | V.S.W.R. Max. | Attenuation | | Handling Power Max. (W) | Reflection Power Max. (W) |
|--------------------|---------------------------|---------------------------|------------------|-----------------------|-----------------------|----------------------------------|------------------------------------|
| | | | | at 2f Min. (dB) | at 3f Min. (dB) | | |
| 1.840-1.870 | 0.50 | 15 | 1.5 | 13 | 15 | 5.0 | 1.0 |

Operating Temperature(deg.C) ; -35 to +85

Impedance ; 50 ohms Typ.

Shape & Size



TAE823

